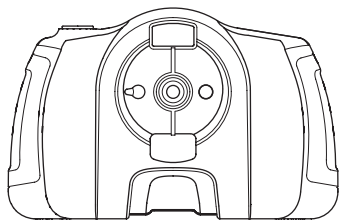


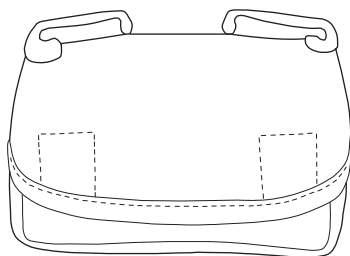
Digital World Cam

Kids Digital Camera with Stealth Shot™

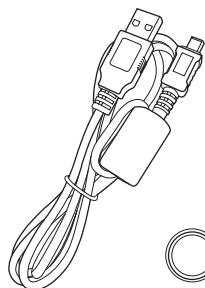
Contents



Camera



Camo Pouch with Tree Strap



USB Cable



CR2032
Battery

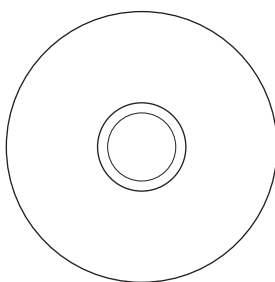


Photo Editing
Software CD

Information To User

Modifications not authorized by the manufacturer may void user's authority to operate this device.

Note: This equipment has been tested and found to comply with the limits for a Class B digital device, pursuant to Part 15 of the FCC Rules. These limits are designed to provide reasonable protection against harmful interference in a residential installation. This equipment generates, uses, and can radiate radio frequency energy and, if not installed and used in accordance with the instructions, may cause harmful interference to radio communications. However, there is no guarantee that interference will not occur in a particular installation. If this equipment does cause harmful interference to radio or television reception, which can be determined by turning the equipment off and on, the user is encouraged to try to correct the interference by one or more of the following measures:

- Reorient or relocate the receiving antenna.
- Increase the separation between the equipment and receiver.
- Connect the equipment into an outlet on a circuit different from that to which the receiver is connected.
- Consult the dealer or an experienced radio/TV technician for help.

Installing SD Card

Camera has 16 megabytes of internal memory, enough to store about 65 digital photos. You can add more memory by installing an SD memory card. SD memory cards are available at most home electronics and camera retail stores. Install SD memory card as follows (adult assistance required):

1. Using a small Phillips-head screwdriver, remove SD CARD SLOT COVER located on bottom of camera.
2. Insert SD memory card into SD CARD SLOT as shown (see Figure 1).
3. Replace SD CARD SLOT COVER securely. Do not over-tighten screw.

Installing Batteries

Tool required – Small Phillips-head  screwdriver

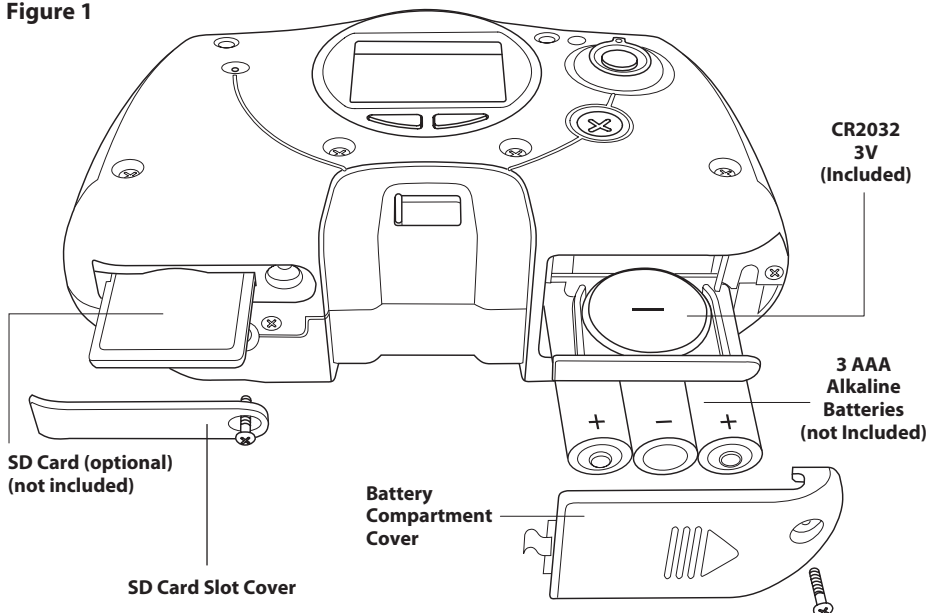
Batteries required:

- Camera: Three (3) "AAA" alkaline batteries (not included)
- Memory: One (1) CR-2032 button-cell battery (included)

Install batteries as follows (adult assistance required):

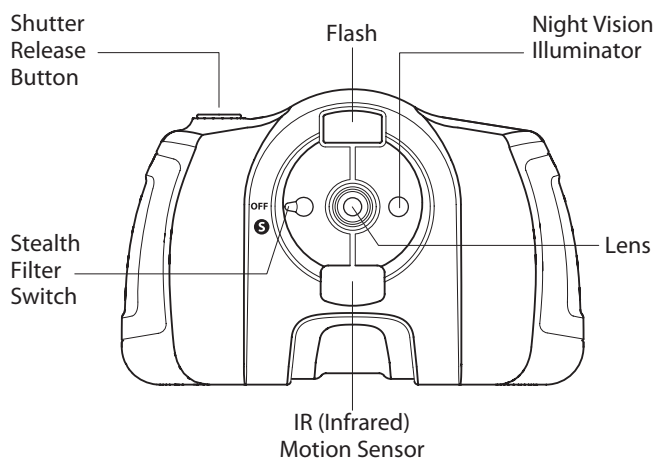
1. Using a small Phillips-head screwdriver, remove BATTERY COMPARTMENT COVER located on bottom of camera.
2. Insert button-cell battery with "+" and "-" sides in correct position, as shown (see Figure 1).
3. Insert three (3) fresh "AAA" alkaline batteries, with "+" and "-" ends in correct positions, as shown (see Figure 1).
4. Replace BATTERY COMPARTMENT COVER securely. Do not over-tighten screw.

Figure 1

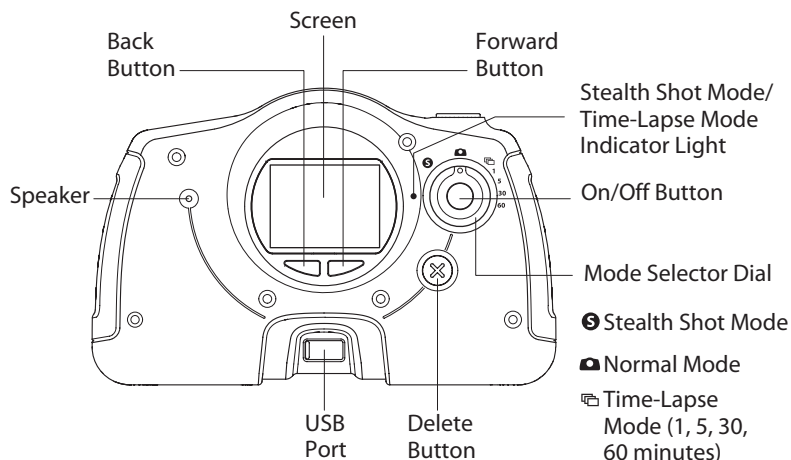


DIGITAL WORLD CAM

FRONT



BACK



Turning the camera on and off

To turn on: Press and release ON/OFF BUTTON. SCREEN will go on.

To turn off: Press and release ON/OFF BUTTON. SCREEN will go off.

- Camera turns off automatically if no button is pressed within 60 seconds.
- If MODE SELECTOR DIAL is not set at NORMAL MODE **A**, INDICATOR LIGHT will blink quickly.

Taking a picture in Normal Mode

1. Turn MODE SELECTOR DIAL to Normal Mode **A**.
2. Set STEALTH FILTER SWITCH on front of camera to OFF.
3. Hold camera steady with both hands (see Figure 2) or use a tripod. (Make sure your fingers are away from the lens.)
4. Look at SCREEN to compose your picture. (SCREEN goes off after one minute to conserve battery life.)
5. Press the SHUTTER RELEASE BUTTON with a gentle squeeze.
 - Flash goes on automatically if there is not enough available light.
 - It may take a few seconds for camera to recharge flash before taking another picture in low light.
 - Flash operates only when MODE SELECTOR DIAL is set to Normal Mode **A**.

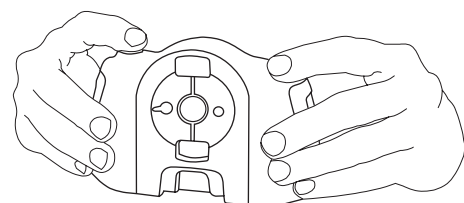


Figure 2

Taking a picture in Stealth Shot Mode

1. Mount camera on a tripod or use the CAMO POUCH with tree strap (see Figure 3).
2. Place camera 3 to 4 feet from subject.
3. Turn MODE SELECTOR DIAL to Stealth Shot Mode **S**. (INDICATOR LIGHT will blink quickly.)
4. Set STEALTH FILTER SWITCH on front of camera to **S**.
5. Compose your picture using SCREEN. (SCREEN goes off after one minute to conserve battery life.)
6. Press SHUTTER RELEASE BUTTON to activate motion sensor. (INDICATOR LIGHT will blink slowly.)
 - While in Stealth Shot Mode, camera will automatically take up to 20 pictures of anything that comes 3 to 4 feet in front of lens, until switched off of Stealth Shot Mode.
 - While in Stealth Shot Mode, Night Vision illuminator will operate instead of normal flash.
 - Hint: To attract animal subjects in Stealth Shot Mode, place a dish of food 3 to 4 feet in front of lens.
 - To exit Stealth Shot Mode, turn MODE SELECTOR DIAL to **A** and set STEALTH FILTER SWITCH on front of camera to OFF.

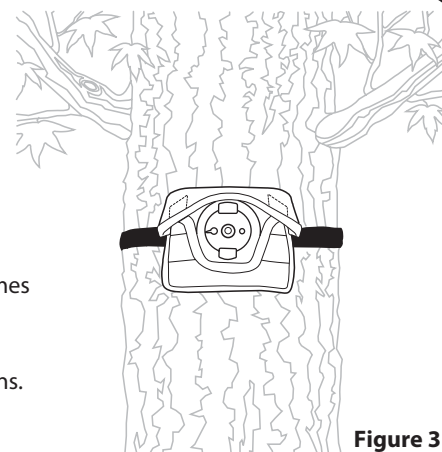






Figure 3









Taking a picture in Time-Lapse Mode

1. Mount camera on a tripod or use the CAMO POUCH with tree strap.
 2. Place camera no less than 3 feet from subject. If taking pictures in low light or in darkness, place camera 3 to 5 feet from subject.
 3. Turn MODE SELECTOR DIAL to Time-Lapse Mode . (INDICATOR LIGHT will blink quickly.) Choose the time interval you want to have between shots: 1, 5, 30 or 60 minutes between shots.
 4. For natural color pictures in daylight, make sure STEALTH FILTER SWITCH on front of camera is set to OFF.
 5. Compose your picture using the SCREEN. (SCREEN remains on for one minute to conserve battery life.)
 6. Press SHUTTER RELEASE BUTTON to activate Time-Lapse function. (INDICATOR LIGHT will blink slowly.)
- While in Time-Lapse Mode, camera will automatically take a series of up to 20 pictures at the preset intervals, until switched off of Time-Lapse Mode.
 - Flash does not operate in Time-Lapse Mode . If using in darkness, set STEALTH FILTER SWITCH on front of camera to .
 - To exit Time-Lapse Mode, turn MODE SELECTOR DIAL to .

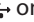

Reviewing your photos

At any time, press BACK BUTTON  or FORWARD BUTTON  to scroll through stored photos on SCREEN.

Deleting stored photos

1. To delete a SINGLE stored photo from memory : While the picture that you want to delete is on SCREEN, press DELETE BUTTON  (X blinks on SCREEN), press BACK BUTTON  to confirm (✓ blinks on SCREEN), then press and release DELETE BUTTON  again.
 2. To delete ALL stored photos from memory : Press and hold DELETE BUTTON  for three seconds (X blinks on SCREEN). Press BACK BUTTON  to confirm (✓ blinks on SCREEN), then press DELETE BUTTON  again. IMPORTANT: DO NOT DO THIS UNLESS YOU HAVE ALREADY DOWNLOADED YOUR PHOTOS AND YOU ARE SURE YOU WANT TO DELETE ALL OF THE PHOTOS STORED IN THE CAMERA.
- To exit Delete Mode, press SHUTTER RELEASE BUTTON.

Downloading pictures to your computer

1. If you choose to use the included Photo2Album® software, be sure it has been installed on your computer (see below).
2. Slide door open and insert small end of USB CABLE into USB PORT on back of camera (see Figure 4).
3. Insert large end of USB CABLE into an available USB port  on your computer. Camera will turn on automatically and a USB connection symbol  will display on SCREEN.
4. Follow the instructions on your computer screen for downloading, organizing, viewing, editing and printing your digital photos.

Installing Photo2Album® software on your computer

1. Insert the Photo2Album® CD into the CD-ROM drive on your computer.
 2. Installation will start automatically.
 3. Follow the instructions on your computer screen to complete the software installation.
- Photo2Album® is compatible with PCs (not compatible with Macintosh systems).

System requirements:

Windows 98, Me, 2000, XP
Any Intel-compatible processor
64 MB RAM or more
16 bit color display adaptor
To create Photo Album CD, a CD-R or CD-RW writer is required.
To create Video CD, CD writing program must support Video CD format.

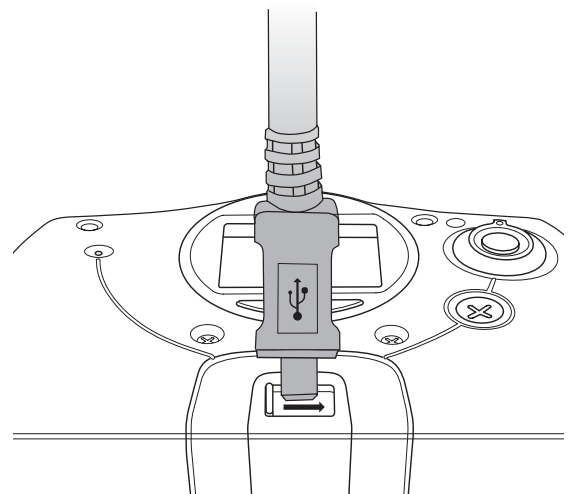


Figure 4

Using Photo2Album® software

1. Double-click on the Photo2Album® shortcut on your desktop.
2. Click anywhere on the album cover to open your photo album.
3. Click on Options, then General Tutorial for an on-screen tutorial to learn how to use all the features.
4. You can click on Help Manual for help at any time you are using Photo2Album®.

TROUBLE SHOOTING

Problem	Possible Cause	Solution
Camera does not take pictures.	Batteries are weak or exhausted.	Replace with three fresh "AAA" alkaline batteries.
	Camera is turned off.	Press the ON/OFF BUTTON on the back of the camera to turn it on.
	Camera's built-in memory or SD card is full.	Download photos to your computer or use DELETE button on camera to remove some or all of the photos.
Pictures are too dark.	The flash is not fully recharged.	Wait a few seconds for the flash to fully recharge.
	You are out of range of the flash or night vision illuminator.	Take picture within range. Range of flash is 3 ft. to 5 ft. (0.9 m to 1.5 m); range of night vision illuminator is 3 ft. to 4 ft. (0.9 m to 1.2 m).
Pictures are blurry.	You are too close to the object.	Back up. The focus range is 2 ft. (0.6 m) to infinity.
	Lens may be dirty or smudged.	Clean the lens with lens cloth or lens tissue (blow or brush off dust first). Do not use facial tissue.
	Camera moved when picture was taken.	Hold the camera steady or use a tripod when you take a picture.
The colors of my pictures are weird.	STEALTH FILTER SWITCH on front of the camera is set to S while camera is in NORMAL MODE.	For normal color, set STEALTH FILTER SWITCH to OFF when taking pictures in NORMAL MODE.
No picture is taken when camera is in STEALTH SHOT MODE.	Subject is too far from camera's motion sensor.	Move camera closer to subject. Motion sensor range is 3 ft. to 4 ft. (0.9 m - 1.2 m).
	SHUTTER RELEASE BUTTON was not pressed.	Press the SHUTTER RELEASE BUTTON to activate motion sensor.
I can't transfer photos to the computer.	USB cord may not be properly connected.	Check connections on both camera and computer.
	Photo Editing software is not installed.	Insert Photo2Album® CD into CD-ROM drive of computer and install the software or use computers existing photo editing software.
Stored photos are gone after changing "AAA" batteries.	Button cell battery is not installed or is exhausted.	Install or replace the CR2032 button cell battery.

Camera Care

- Wipe the camera with a soft, clean cloth. Do not immerse camera in water. Use a lens cloth or lens tissue to clean lens (blow or brush off first) — Do not use facial tissue.
- Do not drop or bump camera on a hard surface.
- Do not take camera apart.
- Keep camera away from direct sunlight and extreme heat or cold.
- Keep water, sand and dirt off of the camera. When using outdoors, keep camera out of rain or moisture. Keep away from sprinkler.

BATTERY SAFETY INFORMATION

- Batteries are small objects. Batteries must be replaced by an adult.
- Follow the polarity (+/-) diagram in the battery compartment.
- Promptly remove dead batteries from the toy.
- Dispose of used batteries properly.
- Remove batteries for prolonged storage.
- Only batteries of same or equivalent type as recommended are to be used.
- DO NOT incinerate used batteries.
- DO NOT dispose of batteries in fire, as batteries may explode or leak.
- DO NOT mix old and new batteries or types of batteries (i.e. alkaline/standard).
- DO NOT use rechargeable batteries.
- DO NOT recharge non-rechargeable batteries.
- DO NOT short-circuit the supply terminals.

KEEP THESE INSTRUCTIONS FOR FUTURE REFERENCE - DO NOT DISCARD

Problems? Do not take this product back to the store, contact us. Call 1-888-742-2484 or go to www.unclemilton.com.

