

**100%**  
**SUN POWERED**

# **Solar Racers™**

**SUN POWERED MICRO VEHICLES**

**KEEP THESE INSTRUCTIONS FOR FUTURE REFERENCE - DO NOT DISCARD**

**PROBLEMS? BEFORE TAKING THIS PRODUCT BACK TO THE STORE. PLEASE CALL US,  
WE CAN HELP! 1-888-742-2484 OR GO TO WWW.UNCLEMILTON.COM**

**NOTE: ADULT SUPERVISION RECOMMENDED.**

**FOR YOUR SAFETY DO NOT USE YOUR SOLAR RACERS™ IN PUBLIC STREETS,  
DRIVEWAYS OR TRAFFIC AREAS.**

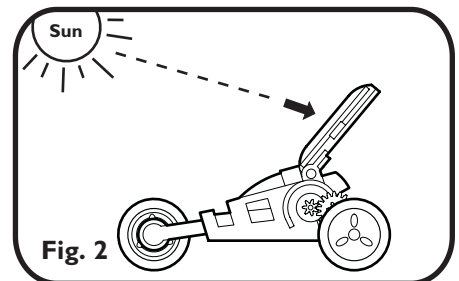
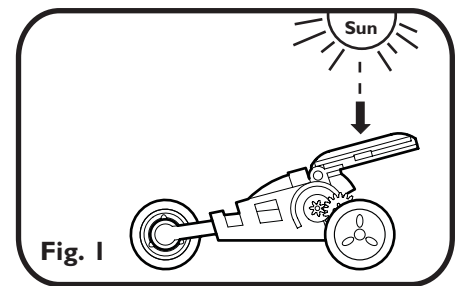
**NOTE: BUMPY GROUND MAY AFFECT THE PERFORMANCE OF YOUR SOLAR RACERS™.  
CLEAR THE RACING AREA OF SMALL ROCKS AND OTHER DEBRIS.**

## **General Instructions**

1. Solar Racers work best outside on a bright and sunny day, with the sun directly overhead.
2. Your Solar Racer features an adjustable solar panel so you can point the panel towards the sun. For best results, angle the solar panel so it is perpendicular to the sun's rays. (See Fig. 1 & 2)
3. For best performance, race on a smooth, paved surface free of small rocks, leaves, sticks or other debris.

## **Stopping Your Solar Racers™**

Your Solar Racer will stop whenever it enters a shadowed area. If you want to stop your Solar Racers, just place your hand between the sun and the Solar Racer to create a shadow.



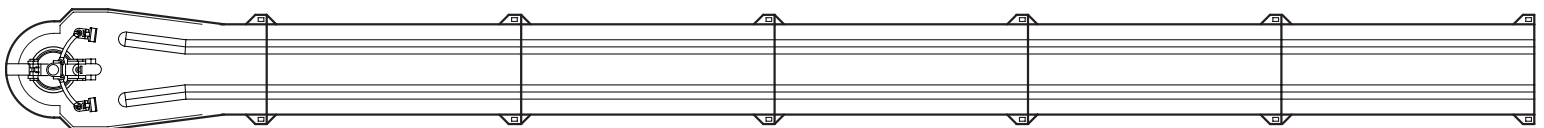
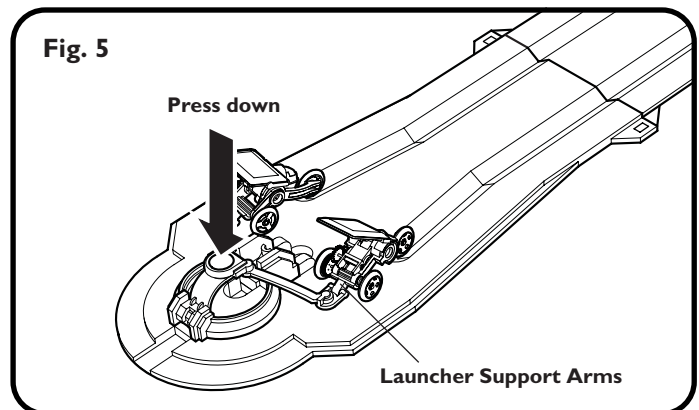
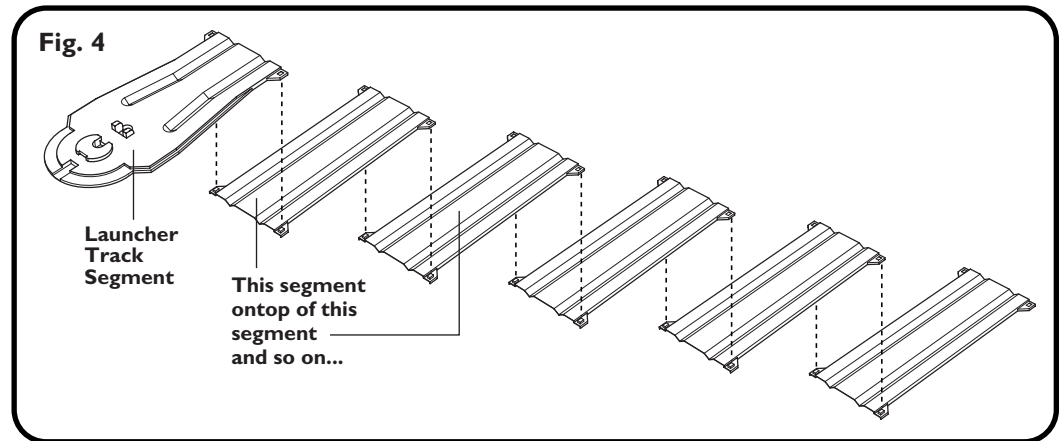
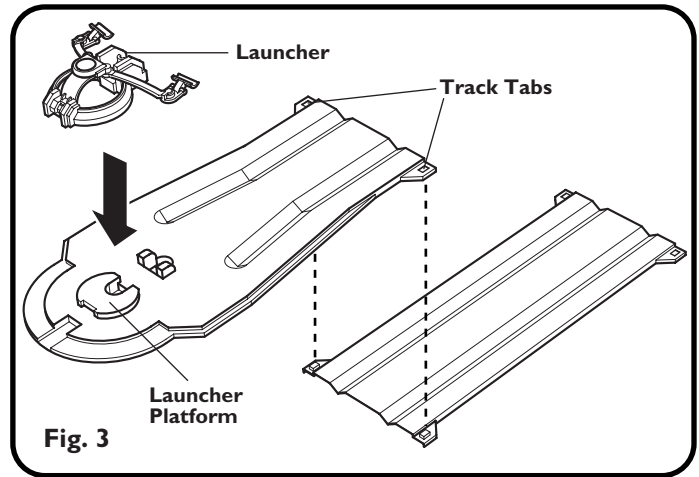
## Track Assembly

The launcher and track are designed to easily fit together.

1. Place the Launcher onto the track, fitting it onto the Launcher Platform as shown. (See Fig. 3)
2. Connect the straight segments of track as shown using the Track Tabs. (See Fig. 3) Make sure the Launcher Track Segment fits on top of the connecting straight segment. (See Fig. 4)

## Instructions For Racing

1. Balance the rear axles of the Solar Racers on the Support Arms of the Launcher. (See Fig. 5) Note: The wheels of the Solar Racers will spin in the air.
2. Push down on the Launcher Button and the Solar Racers will speed away! (See Fig. 5)



**Uncle Milton**

UMI Westlake Village, CA 91362  
1.888.742.2484 Fax: 818.707.0878 www.unclemilton.com  
© UMI, Inc. All rights reserved. Solar Racers is a trademark of UMI. Printed in China.

**WARNING:**  
CHOKING HAZARD - Small parts.  
Not for children under 3 years.