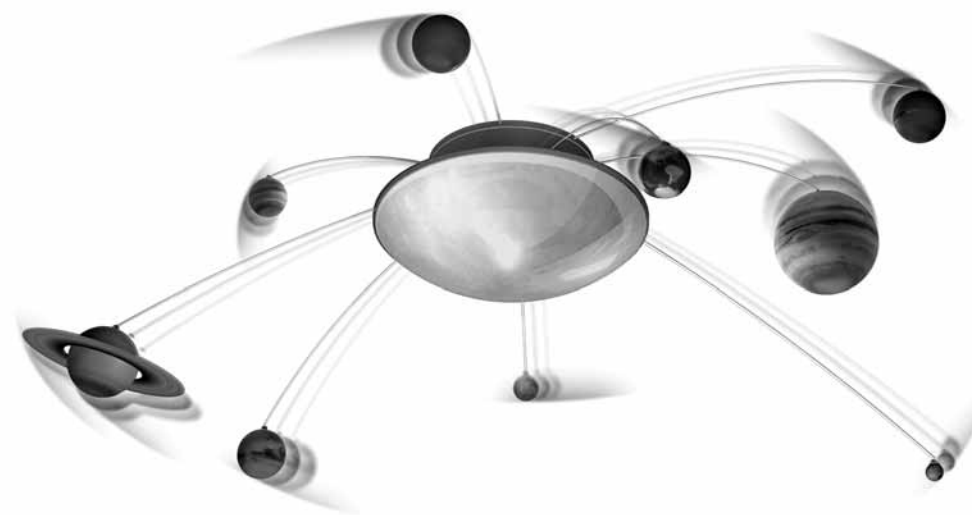


Remote Control
***Solar System
Mobile***TM
Motorized Planets with Light-up Sun

BATTERY SAFETY INFORMATION

- Batteries are small objects. Batteries must be replaced by an adult.
- Follow the polarity (+/-) diagram in the battery compartment.
- Promptly remove dead batteries from the toy.
- Dispose of used batteries properly.
- Remove batteries for prolonged storage.
- Only batteries of same or equivalent type as recommended are to be used.
- DO NOT incinerate used batteries.
- DO NOT dispose of batteries in fire, as batteries may explode or leak.
- DO NOT mix old and new batteries or types of batteries (i.e. alkaline/standard).
- DO NOT use rechargeable batteries.
- DO NOT recharge non-rechargeable batteries.
- DO NOT short-circuit the supply terminals.



KEEP THESE INSTRUCTIONS FOR FUTURE REFERENCE – DO NOT DISCARD

Problems? Before taking this product back to the store, contact us.
Call 1-888-742-2484 or go to www.unclemilton.com

**Uncle
Milton**[®]

Uncle Milton Industries - Westlake Village, CA 91362
1.888.742.2484 • Fax: 818.707.0878 • www.unclemilton.com

©UMI. Solar System Mobile is a trademark of UMI. All rights reserved.

Installing Batteries

Tool required - Small phillips head screwdriver

1. Use a Phillips head screwdriver to remove the battery door. (see Fig. 1)
2. Insert 3 "C" batteries. Make sure the "+" and "-" ends are inserted correctly, as indicated in the battery compartment.
3. Replace cover.
4. IMPORTANT! Switch the Solar System Mobile hub "ON" (see Fig. 1). PLEASE NOTE: The unit will not activate at this point. Your Solar System Mobile is only activated by using the Remote Control.

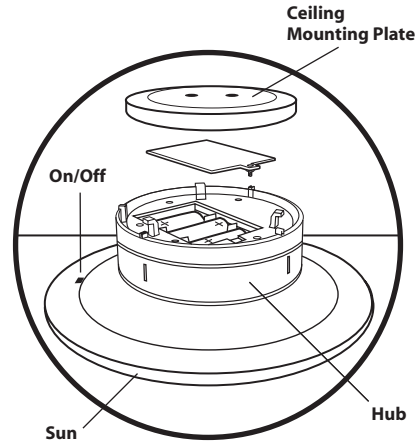


Fig. 1

Installing Batteries Into The Remote Control

Tool required - Small phillips head screwdriver

1. Use a Phillips head screwdriver to remove the battery door. (see Fig. 2)
2. Insert 2 "AAA" batteries. Make sure the "+" and "-" ends are inserted correctly, as indicated in the battery compartment.
3. Replace cover.

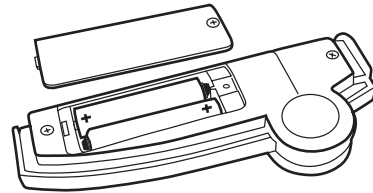


Fig. 2

IMPORTANT: TO ENSURE THE EASIEST ASSEMBLY PROCESS, PLEASE FOLLOW THESE INSTRUCTIONS STEP BY STEP.

Preparation For Assembly

1. Place Solar System Mobile hub on a flat surface such as a table or bed. (see Fig. 1)
2. Arrange the planet wires from shortest to longest as illustrated in the Mobile Assembly Table on the next page.

NOTE: DUE TO PACKAGING, SOME OF THE PLANET WIRES MAY BE SLIGHTLY CURVED. YOU MAY STRAIGHTEN THE WIRES BY BENDING THEM GENTLY IN THE OPPOSITE CURVED DIRECTION.

LOWER ROTATION RING

MOBILE ASSEMBLY

PLANET	SYMBOL	WIRE LENGTH
Mercury	L II	
Venus	■	
Earth	Blank	
Mars	L III	
Jupiter	L I	

UPPER ROTATION RING

MOBILE ASSEMBLY

PLANET	SYMBOL	WIRE LENGTH
Saturn	U III	
Uranus	Blank	
Neptune	U I	
Pluto	U II	

Assembling The Solar System Mobile

NOTE: FOR EASE OF ASSEMBLY, PLANET NAMES AND RING LOCATION SYMBOLS ARE SHOWN ON THE TOP PORTION OF EACH PLANET NEAR THE HANGING LOOP (see Fig. 3). CORRESPONDING RING LOCATION SYMBOLS ARE ALSO SHOWN ON THE SOLAR SYSTEM ROTATION RINGS. (see Fig. 5)

1. Starting with the shortest wire, attach the planet Mercury by hooking the wire into the hanging loop. (see Fig. 4)

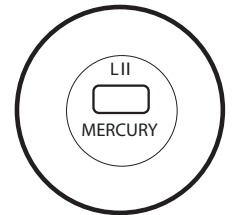


Fig. 3

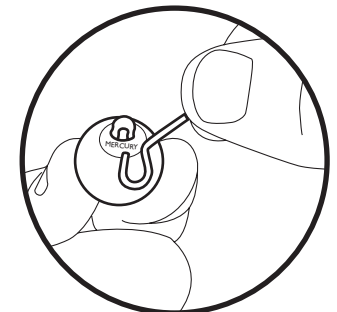


Fig. 4

NOTE: THERE ARE TWO ROTATION RINGS ON THE SOLAR SYSTEM MOBILE HUB. (see Fig. 5) THE LOWER RING HAS SLOTS FOR CONNECTING THE FIVE INNER PLANETS. THE UPPER RING HAS SLOTS FOR CONNECTING THE FOUR OUTER PLANETS.

2. Connect Mercury's wire to the Lower Rotation Ring by gently inserting the end of the wire, tip point down (see Fig. 5). Insert wire, then gently push down (see Fig. 6).

IMPORTANT! Be sure to match the ring location symbols on each of the planets with the ring location symbols on the Upper and Lower Rotation rings. See Mobile Assembly Table on the previous page for corresponding ring location symbols.

3. Continuing with Venus and ending with Pluto, hang the remaining eight planets by repeating steps 1 and 2.

Attaching The Solar System Mobile To Your Ceiling

Tools required - Drill, 5/16" drill bit, small screwdriver

NOTE: THIS STEP SHOULD BE DONE BY AN ADULT.

NOTE: THE SOLAR SYSTEM MOBILE IS ONLY INTENDED TO BE INSTALLED TO A HORIZONTAL DRYWALL CEILING. BECAUSE OF VARIATIONS BETWEEN BUILDING MATERIALS AND CONSTRUCTION METHODS, THE INCLUDED MOUNTING HARDWARE MAY NOT BE SUITABLE FOR ALL INSTALLATIONS.

1. Determine the hanging location of your Solar System Mobile. IMPORTANT! Make sure there is a minimum of 24 inches of clearance on all sides, measuring from the center of Solar System Mobile hanging location. The Solar System Mobile needs this clearance to allow unobstructed rotation of the planets. (see Fig. 7)

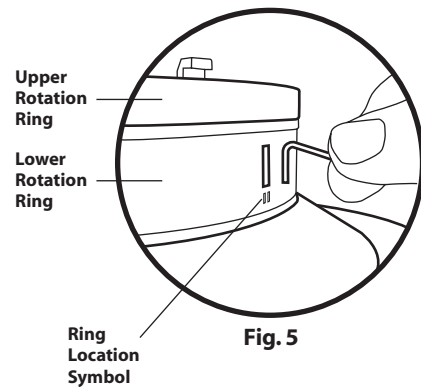


Fig. 5

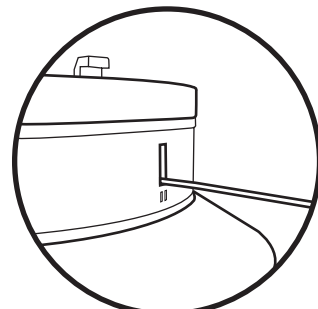


Fig. 6

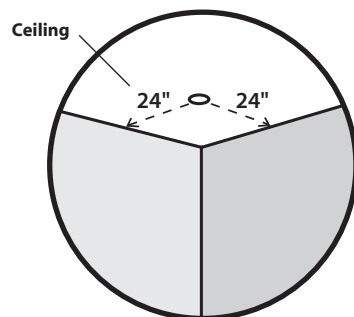


Fig. 7

2. Using the mounting plate as a template, place the mounting plate against the ceiling with the side marked "THIS SIDE DOWN" facing you. Using a pencil, mark the two outer holes.

3. With the markings you have made, drill two 5/16 inch holes all the way through the dry wall.

4. Insert the two bolts through the side labeled "THIS SIDE DOWN." Then, screw on the butterfly anchors. IMPORTANT: ALLOW AT LEAST 1 inch BETWEEN THE BUTTERFLY ANCHOR AND THE MOUNTING PLATE. This will allow the butterfly anchor's wings to open when passed through the drywall ceiling. (see Fig. 8)

5. Insert screws through ceiling with butterfly anchors folded. (see Fig. 9a)

6. Gently maintain a downward pressure on solar system ceiling plate while screwing bolts clockwise until plate is firmly snug and level against ceiling. Do not over tighten. (see Fig. 9b)

7. Guide the three legs on the top of the Solar System Mobile hub into the corresponding holes on the solar system mounting plate. (see Fig. 10)

8. Rotate the hub clockwise 30 degrees until you feel it click into place.

9. The Remote Control works best with line of site toward the Sun. For easiest activation, the on/off switch should be positioned toward middle of room.

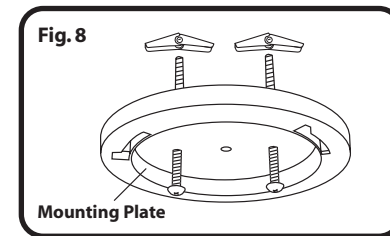


Fig. 8

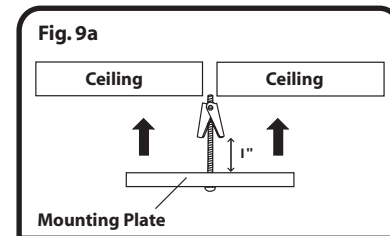


Fig. 9a

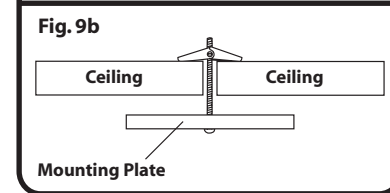


Fig. 9b

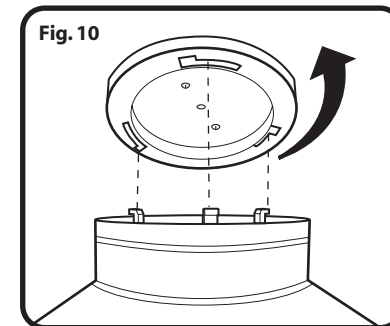
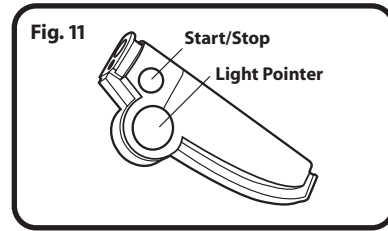


Fig. 10

Using Your Solar System Mobile

IMPORTANT: BEFORE OPERATING, BE SURE ON/OFF SWITCH ON THE SOLAR SYSTEM BASE IS TURNED TO THE ON POSITION! THE SWITCH IS LOCATED ON THE LEDGE OF THE INSIDE RIM OF THE SOLAR SYSTEM MOBILE HUB.



1. For best results make sure the room lights are off and there is only a very low level of light.
2. Using the remote control, point at the Solar System Mobile sun and press the start/stop button. To stop the Solar System Mobile, point the remote control at the Solar System Mobile sun and press the start/stop button again. (see Fig. 11)
3. The Solar System Mobile will illuminate and the planets will begin to orbit the sun.
4. To take a journey through the Solar System, play the included audio tour while the Solar System Mobile is turned on.
5. While listening to the tour you can point out the planets using the light pointer built into the remote control. (see Fig. 11)
6. If you choose, you may leave your Solar System Mobile on and it will automatically shut off after 20 minutes.
6. By waving the light pointer, you can create a streaking comet!