

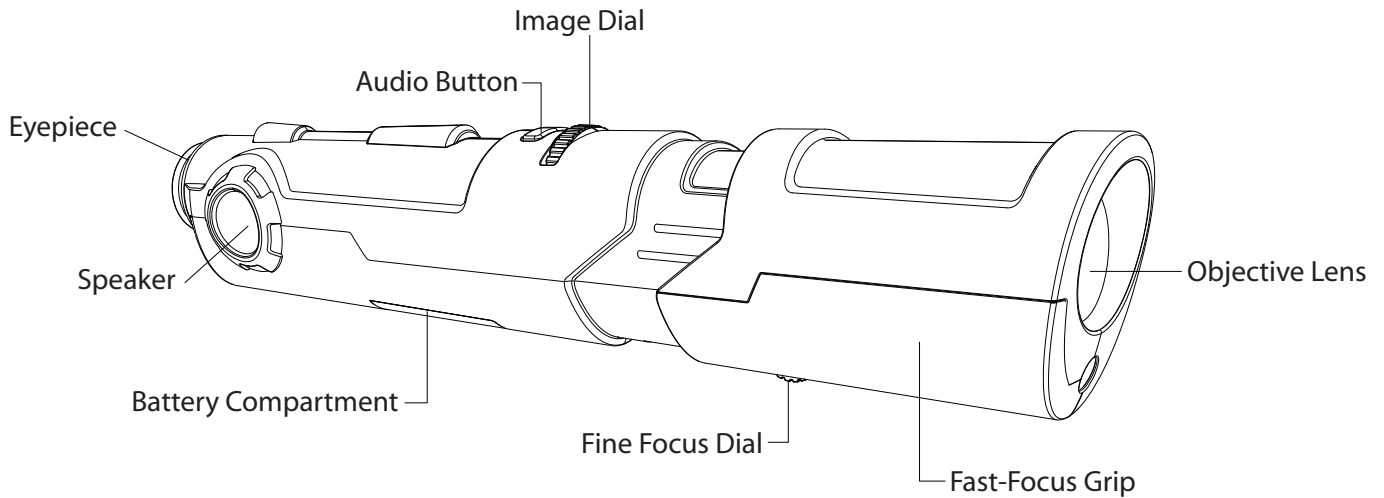


Requires  
3 AAA batteries.  
(Batteries not included).

# 3-in-1 Space Explorer Telescope

**Telescope with Built-in Space Images and Audio Facts**

View objects from a distance with your 3-in-1 Space Explorer Telescope. View the moon, watch birds, or spy on friends. With the turn of the image dial you can view 10 real space images from NASA and learn fun, fascinating facts!



## Installing Batteries

Tool required – small Phillips-head screw driver 

1. Remove the battery compartment cover (see Figure 1).
2. Install 3 new AAA alkaline batteries, making sure the “+” and “-” ends are inserted correctly, as shown.
3. Replace the battery compartment cover. Do not over-tighten screw.

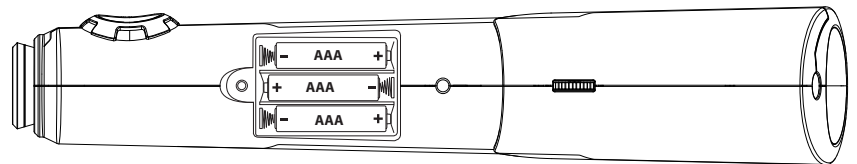
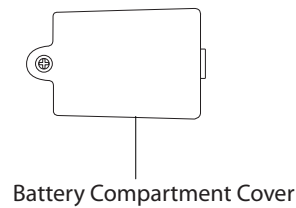


Figure 1



## Using your 3-In-1 Space Explorer Telescope

### Telescope Mode

1. Press the audio button located on the top of your telescope. (You will be prompted to turn the image dial to telescope mode.)
2. Turn the image dial until you no longer see an image and are looking straight through the telescope. (Your telescope will let you know that it is in telescope mode by sounding a “beep.”)
3. Slide the fast-focus grip to quickly put the image into focus (see Figure 2). You can then turn the fine focus dial to put the image in sharper focus.

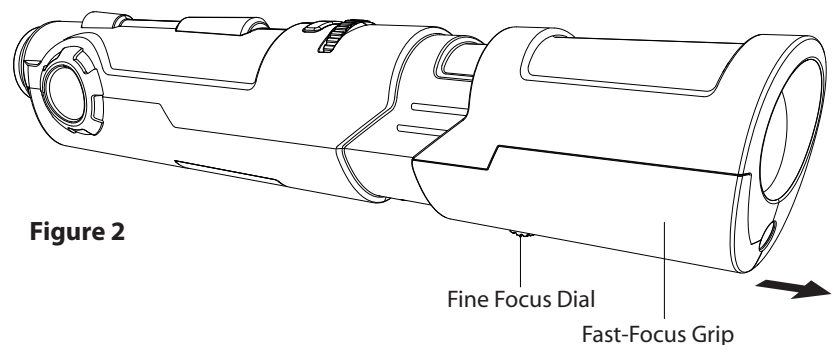


Figure 2

## Space Image Mode

Turn the image dial while looking through your telescope. As you dial through the images, press the audio button to hear factoids about what you are looking at.

If the image you are viewing does not match with the audio factoid, please reset the telescope by turning the image dial until you reach the telescope mode.

You do not need to turn your telescope off. The self timer will turn it off automatically after 5 minutes.

## Care and Cleaning

- Clean the telescope with a damp or dry cloth only.
- Do not immerse in water or any other liquid.
- To clean lenses, use a soft cloth. Do not use tissue paper, as it may scratch the lenses.
- Replace batteries if the sound is distorted or light is dim in the Space images.



**CAUTION: Never use your telescope to look at the sun. Doing so can cause serious and irreparable eye damage.**

### BATTERY SAFETY INFORMATION

- Non-rechargeable batteries are not to be recharged.
- Rechargeable batteries are only to be charged under adult supervision.
- Rechargeable batteries are to be removed from the toy before being charged.
- Different types of batteries or new and used batteries are not to be mixed.
- Batteries are to be inserted with the correct polarity.
- Exhausted batteries are to be removed from the toy.
- The supply terminals are not to be short-circuited.

This device complies with Part 15 of the FCC Rules.

Operation is subject to the following two conditions:

- (1) this device may not cause harmful interference, and
- (2) this device must accept any interference received, including interference that may cause undesired operation.

Caution: changes or modifications not expressly approved by the party responsible for compliance could void the user's authority to operate the equipment.

NOTE: This equipment has been tested and found to comply with the limits for a Class B digital device, pursuant to Part 15 of the FCC Rules. These limits are designed to provide reasonable protection against harmful interference in a residential installation. This equipment generates, uses and can radiate radio frequency energy and, if not installed and used in accordance with the instructions, may cause harmful interference to radio communications. However, there is no guarantee that interference will not occur in a particular installation. If this equipment does cause harmful interference to radio or television reception, which can be determined by turning the equipment off and on, the user is encouraged to try to correct the interference by one or more of the following measures:

- Reorient or relocate the receiving antenna.
- Increase the separation between the equipment and receiver.
- Connect the equipment into an outlet on a circuit different from that to which the receiver is connected.
- Consult the dealer or an experienced radio/TV technician for help.

KEEP THESE INSTRUCTIONS FOR FUTURE REFERENCE — DO NOT DISCARD

Questions? Comments? Please contact us. We can help!  
1-888-742-2484 or go to [www.unclemilton.com](http://www.unclemilton.com)

**Uncle  
Milton**

Uncle Milton Industries, Inc.  
31186 La Baya Dr., Westlake Village, CA 91362  
1-888-742-2484 Fax: 818-707-0878 [www.unclemilton.com](http://www.unclemilton.com)  
©UMI. All Rights Reserved. 3-In-1 Space Explorer Telescope is a trademark of UMI. Printed in China.

2066-0250-0708