

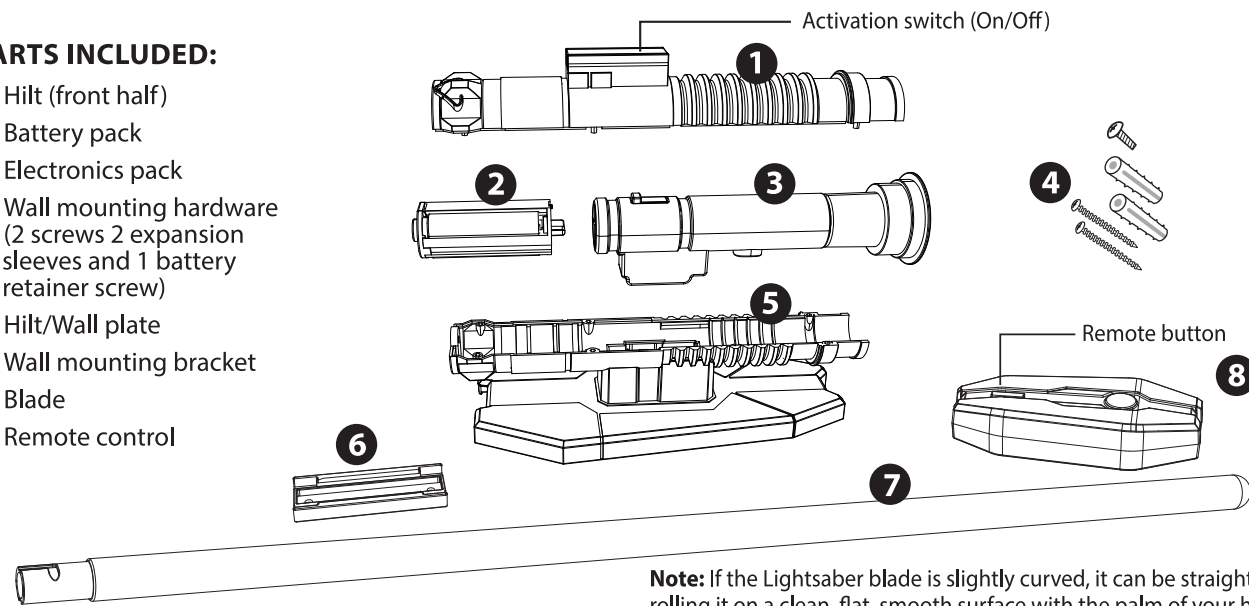
STAR WARS

SCIENCE

LUKE SKYWALKER™ EDITION LIGHTSABER™ ROOM LIGHT

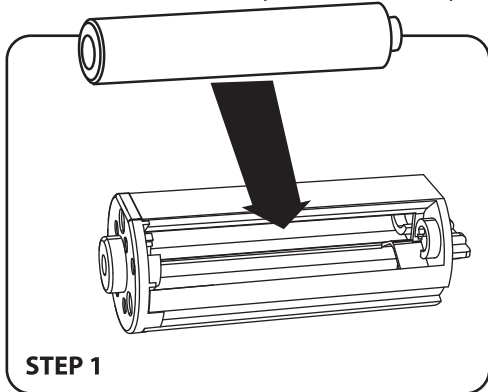
PARTS INCLUDED:

- 1 Hilt (front half)
- 2 Battery pack
- 3 Electronics pack
- 4 Wall mounting hardware (2 screws 2 expansion sleeves and 1 battery retainer screw)
- 5 Hilt/Wall plate
- 6 Wall mounting bracket
- 7 Blade
- 8 Remote control

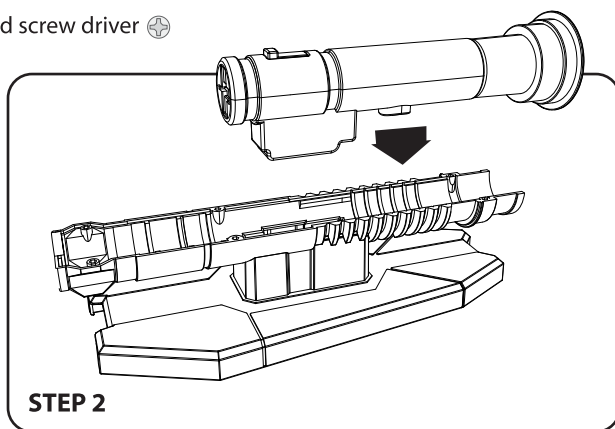


Note: If the Lightsaber blade is slightly curved, it can be straightened by rolling it on a clean, flat, smooth surface with the palm of your hand.

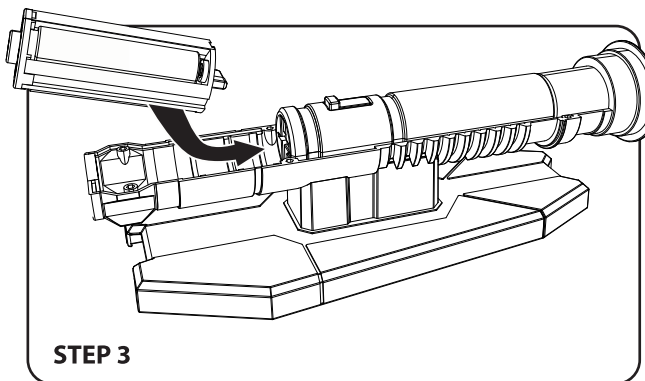
ASSEMBLY: Tool required – small Phillips-head screw driver



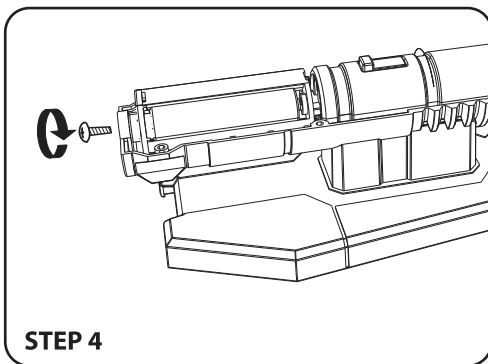
STEP 1
Insert 3 AAA batteries into Battery pack 2 as indicated in the battery compartment.



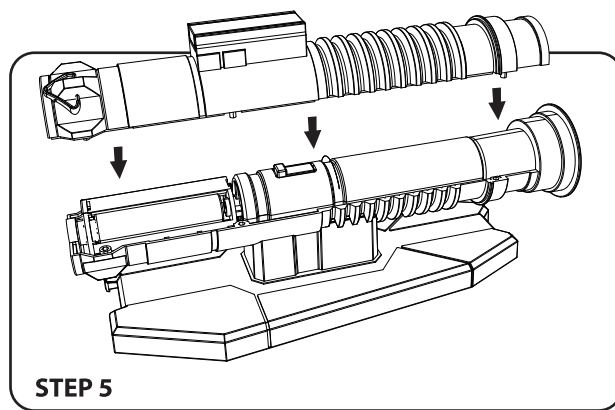
STEP 2
Place Electronics pack 3 into Hilt/Wall plate 5.



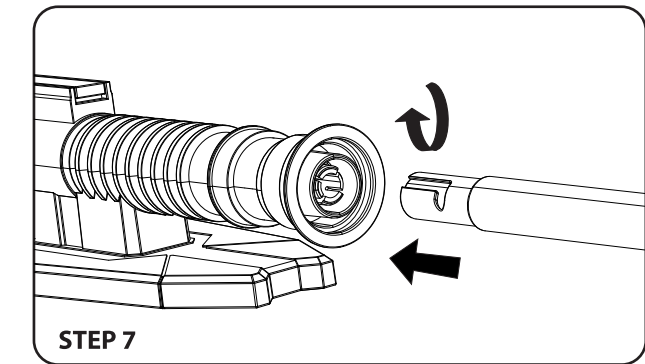
STEP 3
Insert Battery pack into Hilt handle. Align tab with slot in Electronics pack so contact is made.



STEP 4
Tighten battery retainer screw to secure Battery pack in place.



STEP 5
Align Hilt (front half) 1 using location pins and press to close.

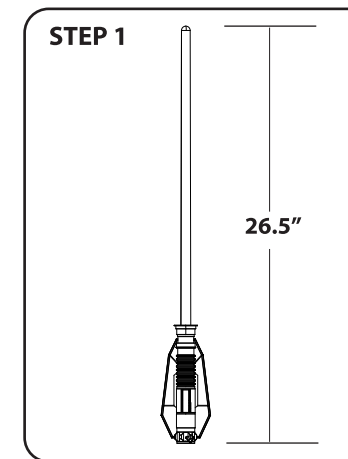


STEP 7
Insert the Blade 7 into the Hilt. Align the groove in the blade, with tabs in Hilt and turn clockwise to lock it in place.

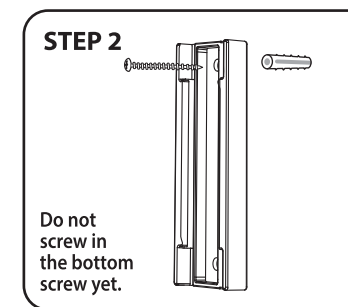
KEEP THESE INSTRUCTIONS FOR FUTURE REFERENCE — DO NOT DISCARD

Questions?
Visit us at unclemilton.com

WALL INSTALLATION:

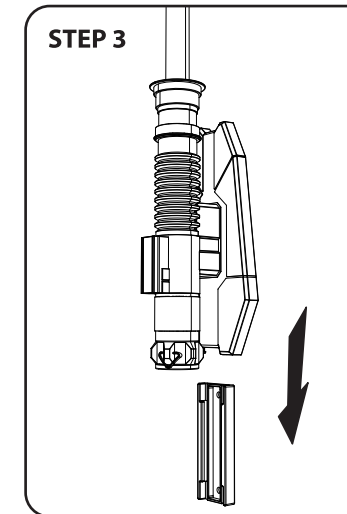


STEP 1
Choose a location for installation. Make sure there is an unobstructed area above for the blade.



STEP 2
Do not screw in the bottom screw yet.

Locate stud in wall or use the Expansion sleeves 4 included and screw the Wall mounting bracket 6 to the wall using the top hole only.



STEP 3
Slide the assembled Hilt and Wall plate half-way onto the Wall mounting bracket. Confirm the blade is vertical and mark a spot on the wall through the lower bracket-hole. Remove Hilt assembly, and complete installation with lower screw, and replace Hilt assembly.

REMOTE CONTROL — INSTALLING BATTERIES

1. Use a Phillips-head screwdriver (not included) to remove battery door.
2. Insert 2 AAA batteries into remote. Make sure the "+" and "-" ends are inserted correctly as indicated in the battery compartment.
3. Replace battery door.

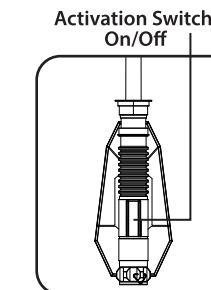
Warning: Product must be assembled by an adult. This product contains small parts which are necessary for assembly. Prior to and during assembly of this product, keep small parts out of children's reach. Small parts pose a choke hazard to children under 3 years.

OPERATION:

1. To turn the lightsaber ON, press the activation switch on the front of the lightsaber handle.
2. To turn the lightsaber OFF, hold down the button on the remote or the button on the hilt for a few seconds. The lightsaber will react and turn off.

Note: To conserve battery life, your lightsaber will turn off automatically after 15 minutes.

Caution: Do not view light source directly without blades installed.



NOTE: This equipment has been tested and found to comply with the limits for a Class B digital device, pursuant to Part 15 of the FCC Rules. These limits are designed to provide reasonable protection against harmful interference in a residential installation. This equipment generates, uses and can radiate radio frequency energy and, if not installed and used in accordance with the instructions, may cause harmful interference to radio communications. However, there is no guarantee that interference will not occur in a particular installation. If this equipment does cause harmful interference to radio or television reception, which can be determined by turning the equipment off and on, the user is encouraged to try to correct the interference by one or more of the following measures:

- Reorient or relocate the receiving antenna.
- Increase the separation between the equipment and receiver.
- Connect the equipment into an outlet on a circuit different from that to which the receiver is connected.
- Consult the dealer or an experienced radio/TV technician for help.

WARNING:
CHOKING HAZARD - Small parts.
Not for children under 3 years.

This device complies with Part 15 of the FCC Rules. Operation is subject to the following two conditions:
(1) This device may not cause harmful interference, and
(2) This device must accept any interference received, including interference that may cause undesired operation.

Caution: changes or modifications not expressly approved by the party responsible for compliance could void the user's authority to operate the equipment.

Conforms to safety requirements of ASTM F963

BATTERY SAFETY INFORMATION

- Non-rechargeable batteries are not to be recharged
- Rechargeable batteries are to be removed from the toy before being charged
- Rechargeable batteries are only to be charged under adult supervision
- Different types of batteries or new and used batteries are not to be mixed
- Batteries are to be inserted with the correct polarity
- Exhausted batteries are to be removed from the toy
- The supply terminals are not to be short-circuited
- Do not mix old and new batteries
- Do not mix alkaline, standard (carbon-zinc) or rechargeable (nickel-cadmium) batteries
- Do not dispose of batteries in fire. Battery may explode or leak.



© 2012 UMI. All rights reserved.
® and ™ designate U.S. trademarks of Uncle Milton Industries, Inc.
P.O. Box 6281 Thousand Oaks, CA 91359 USA. Printed in China.
Product and colors may vary.

© 2012 Lucasfilm Ltd. & ® or ™ where indicated.
All rights reserved.