

Important Safety Instructions

SAVE THESE INSTRUCTIONS

Caution—Please read all instructions carefully before operating.

- Read, keep, and follow these instructions. Heed all warnings.
- Do not use this apparatus near water.
- Do not block any ventilation openings. Install in accordance with the manufacturer's instructions.
- Do not install near any heat sources such as radiators, heat registers, stoves, or other apparatus (including amplifiers) that produce heat.
- Do not defeat the safety purpose of the polarized or grounding-type plug. A polarized plug has two blades with one wider than the other. A grounding type plug has two blades and a third grounding prong. The wide blade or the third prong are provided for your safety. If the provided plug does not fit into your outlet, consult an electrician for replacement of the obsolete outlet.
- Protect the power cord from being walked on or pinched, particularly at plugs, convenience receptacles, and the point where they exit from the apparatus.
- Only use attachments/accessories specified by the manufacturer.
- Unplug this apparatus during lightning storms or when unused for long periods of time.
- Refer all servicing to qualified service personnel. Servicing or replacement is required when the apparatus has been damaged in any way, such as the power-supply cord or plug being damaged, liquid has been spilled or objects have fallen into the apparatus, the apparatus has been exposed to rain or moisture, does not operate normally, or has been dropped.
- Damage requiring service or replacement: Unplug the product from the wall outlet and refer servicing to Uncle Milton Industries under the following conditions:
 - When the power-supply cord or plug is damaged;
 - If liquid has been spilled, or objects have fallen into the apparatus;
 - If the apparatus has been exposed to rain or water;
 - If the apparatus does not operate normally by following the operating instructions. Adjust only those controls that are covered by the operating instructions, as an improper adjustment of other controls may result in damage and will often require extensive work by a qualified technician to restore the apparatus to its normal operation;
 - If the apparatus has been dropped or damaged in any way;
 - When the apparatus exhibits a distinct change in performance.

Note: Under the environment with electrostatic discharge, the product may malfunction. It requires user to reset the product.

CARE:

Occasionally dust the unit with a soft dry cloth. Toys liable to be cleaned with liquid are to be disconnected from the transformer before cleaning. For stubborn stains, use a soft cloth dampened with a mild solution of detergent and water. Dry the unit immediately afterwards with a clean cloth. Do not use abrasive cloths, thinners, alcohol, or other chemical solvents, as they may damage the finish or remove the panel lettering.

CAUTION:

Any user changes or modifications not expressly approved by the manufacturer could void the user's authority to operate the equipment and will void the warranty. Transformers used with the toy are to be regularly examined for damage to the cord, plug, enclosure and other parts, and that, in the event of such damage, the toys must not be used with this transformer until the damage has been repaired.

NOTE:

This equipment has been tested and found to comply with the limits for a Class B digital device, pursuant to Part 15 of the FCC Rules. These limits are designed to provide reasonable protection against harmful interference in a residential installation. This equipment generates, uses and can radiate radio frequency energy and, if not installed and used in accordance with the instructions, may cause harmful interference to radio communications. However, there is no guarantee that interference will not occur in a particular installation. If this equipment does cause harmful interference to radio or television reception, which can be determined by turning the equipment off and on, the user is encouraged to try to correct the interference by one or more of the following measures:

- Reorient or relocate the receiving antenna;
- Increase the separation between the equipment and receiver;
- Connect the equipment to an outlet on a circuit different from that to which the receiver is connected;
- Consult the manufacturer or an experienced radio/TV technician for help.

End User Agreement

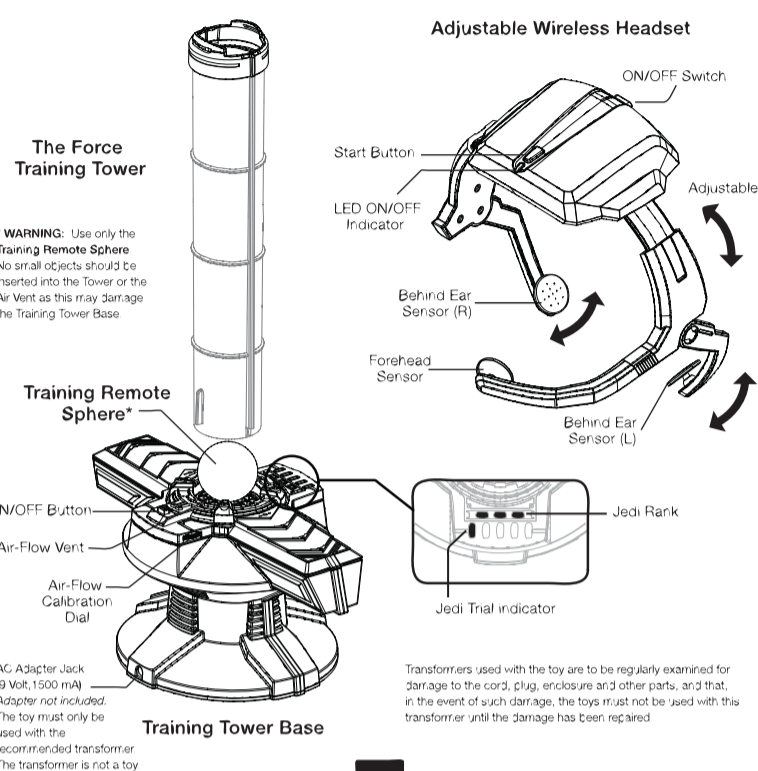
- You (the consumer of this product), are granted only a personal, non-transferable, non-sub licensable and non-exclusive right to use the software and other intellectual property ("IP") embodied in the products purchased herein (the "Products"), only for Your personal use and only in conjunction with the Products.
- NeuroSky, Inc. ("NeuroSky") and/or its licensors retain all of their rights in the IP and no title to such intellectual property is transferred to You.
- You agree not to reverse assemble, decompile, or otherwise attempt to derive source code from the IP.
- You agree to comply with all export and re-export restrictions and regulations of the Department of Commerce or other United States agency or authority, and not to transfer, or authorize the transfer, of the Products to a prohibited country or otherwise in violation of any such restrictions or regulations.
- NeuroSky shall not be liable to the end user for any indirect, consequential, incidental or special damages arising out of the use or license of the Products, regardless of the theory of liability including negligence and strict liability.
- NeuroSky makes no representations or warranties with respect to scientific or health related affects, benefits, uses, or the like of the Product.
- NeuroSky has the right to terminate the license granted to You at any time in the event You misuse the Product, and
- The IP is considered "commercial computer software," pursuant to DFAR Section 227.7202 and FAR Section 12.212, as applicable. Use, duplication or disclosure of the Software and documentation, if any by the U.S. Government is subject to the restrictions set forth in DFAR Section 227.7202 for military agencies, and FAR Section 12.212 for civilian agencies. The contractor/manufacturer is NeuroSky, Inc.
- NeuroSky is a third party beneficiary of the agreement between You and Uncle Milton Industries, Inc. regarding the Products.



Welcome and congratulations! You have found your way to *The Force Trainer*. Using this powerful tool, you will learn to develop and focus your concentration—utilizing the Force—to move an object with the power of your mind.

Jedi Master Yoda will guide your individual instruction through **15 Jedi Trials**. You will begin at the rank of **Padawan** and advance to **Jedi Knight**, as your skill increases. Only the most accomplished will achieve the rank of **Jedi Master**—a noble goal and high honor, indeed!

The Force Trainer—Parts Description



Assembly Instructions

BATTERY SAFETY INFORMATION

- DO NOT USE rechargeable batteries;
- Do not mix new and old batteries, batteries of different types, alkaline and standard (carbon-zinc);
- Do not charge non-chargeable batteries;
- Use only batteries of the same or equivalent as recommended;
- Insert batteries as indicated inside the battery compartment;
- Remove batteries during long periods of non-use;
- Never short-circuit the battery terminals;
- Always remove exhausted batteries from product. Dispose of batteries safely; Do not dispose of this product in a fire. The batteries inside may explode or leak.

Installing Batteries into The Training Tower Base

Tool required - Small Phillips-head screwdriver.

- Use a Phillips-head screwdriver to remove the battery compartment cover (see Figure 1).
- Insert 6 "AA" batteries. Make sure the "+" and "-" ends are inserted correctly, as indicated in the battery compartment.*
- Replace cover and secure screws.

Installing Batteries into the Wireless Headset

Tool required - Small Phillips-head screwdriver.

- Use a Phillips-head screwdriver to remove the battery compartment cover (see Figure 2).
- Insert 3 "AAA" batteries. Make sure the "+" and "-" ends are inserted correctly, as indicated in the battery compartment.*
- Replace cover and secure screw.

*WARNING: Batteries must be inserted with correct polarity (+) and (-) as indicated in the battery compartment. Failure to do so may cause a short circuit and damage to the unit.

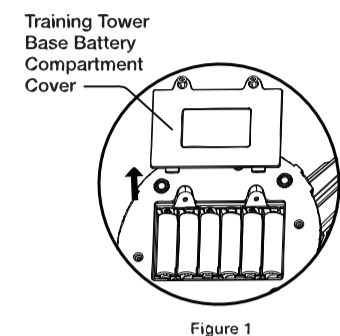


Figure 1

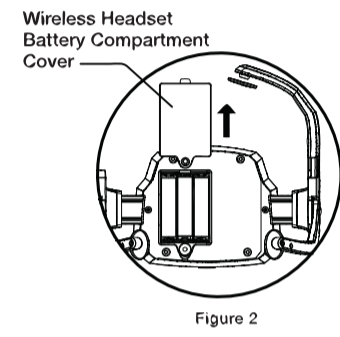
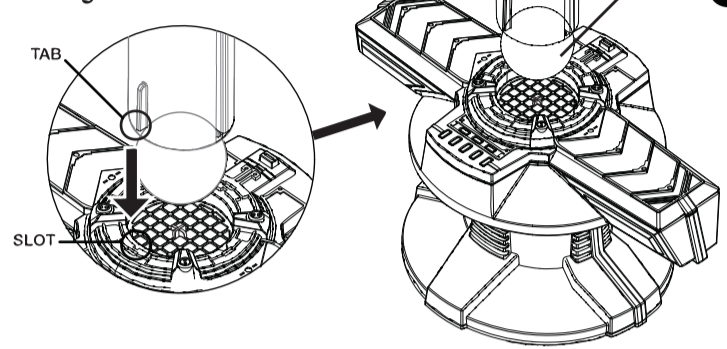


Figure 2

Assembly Instructions

- Place **Training Remote Sphere** onto **Air-Flow Vent** located at top of **Training Tower Base** (as shown at right).
- Firmly insert the **Training Tower** into **Training Tower Base** with **Training Remote Sphere** inside.

Insert Training Tower into Training Tower Base



You MUST Calibrate The Force Trainer NOW before you begin your training! The Force Trainer will NOT function properly without calibration and could jeopardize your training!

See detailed instructions on page 4: Calibration and Setup

Wireless Headset FCC ID: XCY150511UMI2009 2.4 Ghz

Training Tower Base FCC ID: XCY150512UMI2009

MADE IN CHINA

This device complies with part 15 of the FCC Rules. Operation is subject to the following two conditions:
(1) this device may not cause harmful interference, and
(2) this device must accept any interference received, including interference that may cause undesired operation.

WARNING: Changes or modifications to this unit not expressly approved by the party responsible for compliance could void the user's authority to operate the equipment.

WARNING: READ BEFORE PLAYING
This product is not intended to diagnose, treat, cure or prevent any medical condition. This product is for entertainment purposes only. A very small percentage of individuals may experience epileptic seizures when exposed to certain light patterns or flashing lights. Certain conditions may induce previously undetected epileptic symptoms even in persons who have no history of prior seizures or epilepsy. If you, or anyone in your family, have an epileptic condition, consult your physician prior to playing. If you experience any of the following symptoms while playing this product — dizziness, altered vision, eye or muscle twitches, loss of awareness, disorientation, any involuntary movement, or convulsions — IMMEDIATELY discontinue use and consult your physician before resuming play.

Hereby, Uncle Milton Industries, Inc., declares that this The Force Trainer is in compliance with the essential requirements and other relevant provisions of Directive 1999/5/EC. The declaration of conformity is held by: Manufacture Name: Uncle Milton Industries, Inc. Manufacture Address: 31186 La Baya Drive Westlake Village, CA 91362

KEEP THESE INSTRUCTIONS FOR FUTURE REFERENCE — DO NOT DISCARD

Problem? Do not return product to the store, contact us. Call 1-818-707-0224 or go to www.unclemilton.com

Uncle Milton

© 2009 UMI. All rights reserved. ® and ™ designate U.S. trademarks of Uncle Milton Industries, Inc. Westlake Village, CA 91362. Printed in China. Product and colors may vary.

© 2009 Lucasfilm Ltd. & ™ where indicated. All rights reserved.

NeuroSky
Brain Computer Interface Technology

CE 0979
15051-0251-0709-V09

THE FORCE™ TRAINER Instruction Manual

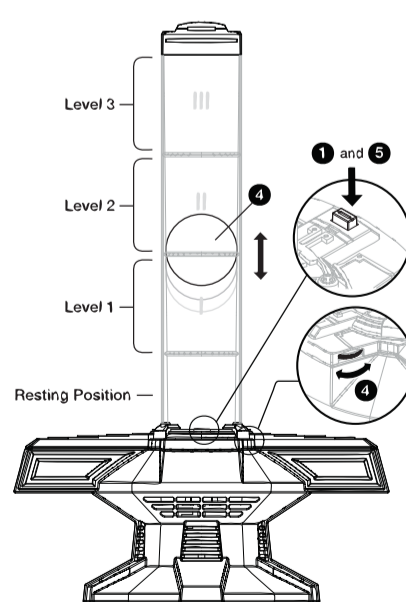
AAA/LR03 x3
AA/LR06 x6
Batteries not included.

WARNING:
Not suitable for children under 3 years because of small ball(s)

Training Tower Calibration

To ensure proper pairing of Training Tower Base with the Headset, the **Training Tower Base should always be turned ON before the Headset**. If you switch the Training Tower Base OFF, you must also switch the Headset OFF before starting a new training session. Likewise, if you switch the Headset OFF you must also switch the Training Tower Base OFF, before starting a new training session.

- Switch Training Tower Base ON by pressing ON/OFF button.
- Switch the Wireless Headset ON. See diagram on page 5.
- Press and hold the Front Button on top of the Training Tower Base, until the Training Remote Sphere is floating at the line as indicated. Note: The Training Remote Sphere will rise automatically within the Training Tower.
- Gently adjust the Air-Flow Calibration Dial on the Training Tower Base, until the Training Remote Sphere is floating at the line as indicated. Note: The Training Remote Sphere will slightly drift up and down. This is natural.
- Now, RESET the Training Tower Base by switching the unit OFF, then back ON.
- The Force Trainer is now calibrated. You may begin your training.

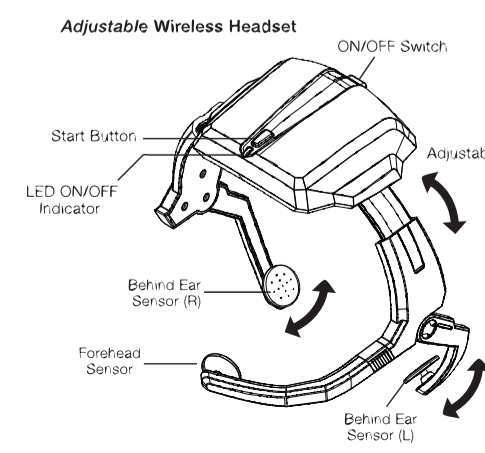


* Note: Do not change the Air-Flow Calibration Dial when not in Calibration Mode—the setting will be lost. If this occurs, repeat steps 1 through 5, above.

Headset Setup

To ensure hair is not in the way of proper sensor contact, some users with longer hair should tie their hair back.

- Make sure the headset is **turned Off**. Place headset on head, and adjust as needed to make sure you have good sensor placement and contact for proper function.
 - Good Contact** (Forehead Sensor) — Must lay flat above your eyebrow as shown, making direct contact with skin, clear of any hair.
 - Bad Contact** (Forehead Sensor) — Must lay flat above your eyebrow as shown, making direct contact with skin, clear of any hair.
 - Good Contact** (Behind Ear Sensors) — Must lay flat behind ear, making direct contact with skin, clear of any hair.
 - Bad Contact** (Behind Ear Sensors) — Must lay flat behind ear, making direct contact with skin, clear of any hair.
- Make sure Training Tower is switched ON.
- Switch the headset ON. Make sure to **remain very still** for initial syncing of the headset.
- Select Freeplay or Jedi Training Mode. See detailed instructions on pages 6 - 7.



Headset shuts OFF automatically after 10 minutes of inactivity once Headset is removed from Head.

- Use Under Adult Supervision: Headset Sensors should be cleaned periodically. Use a cotton swab, lightly dampened with isopropyl alcohol (available at most drug and grocery stores).
- Wireless Headset is intended for use with the Training Tower Base ONLY. The Headset contains sensitive electronics and should ONLY be worn while sitting or standing during Force Training. The Headset should NOT be worn in periods of activity as this could lead to damage of the headset.

Mental Preparation

It is advised that you remain very still while calibrating and training. Unnecessary movement may affect your concentration and the function of The Force Trainer.

- Clear your mind, then concentrate on the Training Remote Sphere. Visualize where you want the Training Remote Sphere to be, imagining it in that position.
- Breathe slowly and evenly.

It is advised that you remain silent while training. Later in your training, you may experiment with the effectiveness of speaking. You may try talking your way through a trial to see if it has any effect on your concentration and control of the Training Remote Sphere.

- It is **important** when you begin to make the Training Remote Sphere rise in the Tower, that you maintain your concentration.
- Every Jedi in training needs to rest their mind. For best performance, take a break after 30 minutes.

Freeplay Mode

You can begin learning the ways of the Force by entering Freeplay mode to practice your concentration and control of the Training Remote Sphere. Begin by raising and lowering the Training Remote Sphere at all three levels, proceed to Jedi Training Mode.



Jedi Training Mode

Your Jedi training consists of 15 Jedi trials.

Padawan (beginner)	5 trials
Jedi Knight (intermediate)	5 trials
Jedi Master (expert)	5 trials

PLEASE NOTE: To begin each trial, you must press and quickly release the Headset Start Button.

After you complete the first five **Padawan Training** trials, you will advance to **Jedi Knight Training**, eventually leading to **Jedi Master Training**.

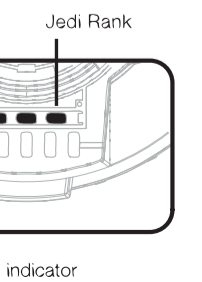
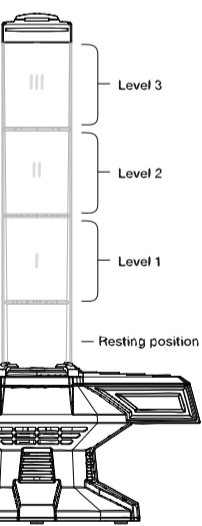
During each trial, Yoda will tell you the Training Tower Level where the Training Remote Sphere must be held. As you advance through your training, Yoda will give you increasingly challenging level sequences requiring greater concentration and control.

After completion of each trial, the Training Remote Sphere will automatically lower to the resting position and you will hear R2-D2 cheer.

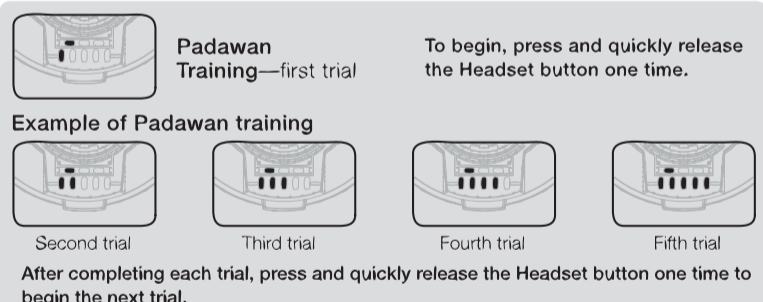
Jedi who wish to attain the rank of Master must show even greater control of the Training Remote Sphere **not allowing it to fall below Training Tower Level one** during any of the Jedi Master trials. If this happens at any point during a Jedi Master trial, the trial will restart.

LED Indicators

There are two rows of LEDs on the Training Tower Base. The Jedi rank LEDs (top row) illuminate only during Jedi training, indicating your current Jedi rank. They will not illuminate during Freeplay.



Jedi Training Mode (Continued)



Please note: The Force Trainer does not save your progress, but you can advance to the First Trial, in any of the three Jedi ranks, by pressing the **start button on the front of the Headset**.

- | | |
|---|--|
| Jump to Jedi Knight Training—first trial | Press and quickly release Headset button 2 Times |
| Jump to Jedi Master Training—first trial | Press and quickly release Headset button 3 Times |

LED Codes

- Low Headset Battery** (LED (ON/OFF indicator) located on front of the Headset flashes slowly.)
- Low Power Training Tower Base Battery** (LED on far left of top row flashes slowly.)
- Poor Sensor Contact** (Top three LEDs flash rapidly. Make sure all three sensors are placed correctly on your head, making direct skin-contact, with no hair obstruction.)
- No Signal** (All five LEDs in bottom row flash rapidly. Make sure that Headset has batteries and is switched ON. Also, Headset must be no farther than ten feet from the Training Tower.)
- Fan Obstruction** (LED on far right of bottom row flashes. Fan is obstructed or jammed by a foreign object. First, switch unit OFF—do not try to remove objects while fan is running. Second, clear objects from the fan. Restart.)

LIMITED 90 DAY WARRANTY

This is an important document. Attach your original sales receipt bill of sale to this card and keep in a safe place. Your sales receipt (bill of sale) is your proof of purchase.

The Uncle Milton Industries ("UMI") warranty remains in effect for 90 days from the date of the original consumer purchase.

What is covered: This warranty is extended to the original owner and applies to defects in materials and workmanship of The Force Trainer (the "Product"), provided the Product is properly maintained with care and used for personal entertainment (residential) purposes only. A copy of the dated, original sales receipt (bill of sale) must be presented whenever warranty service is required.

What is not covered: Except as specified below, this warranty covers all defects in material and workmanship. The following are not covered: Defects or damage that result from (a) improper operation, storage, misuse or abuse, accident or neglect, such as physical damage (cracks, scratches, etc.) to the surface of the product resulting from misuse; (b) contact with liquid, food, water, extreme humidity, sand, dirt or the like, extreme heat, or food; (c) use of the products or accessories for commercial, institutional, medical, or health-related purposes or subjecting the product or accessories to abnormal usage or conditions; (d) other acts which are not the fault of UMI; or (e) failure to follow instructions contained in The Force Trainer Instruction Manual.

If, within the stated warranty period, the Product is found to be defective in material or workmanship, the purchaser must contact the UMI customer service department at 1-818-707-0224 or www.unclemilton.com for return authorization. UMI, at its option, will repair or replace the defective parts. Product must be returned to UMI prepaid by customer with a copy of bill of sale showing the date of purchase. Product returns without a Return Material Authorization from UMI consumer services representative will be returned to the customer unopened.

Some states and jurisdictions do not allow the limitation or exclusion of incidental or consequential damages, or limitation on the length of an implied warranty, so the above limitations or exclusions may not apply to you. This warranty gives you specific legal rights, and you may also have other rights that vary from state to state or from one jurisdiction to another.

©2009 UNCLE MILTON INDUSTRIES, INC.
31186 La Baya Drive
Westlake Village, CA 91362
www.unclemilton.com
Customer Service: Telephone 1-818-707-0224